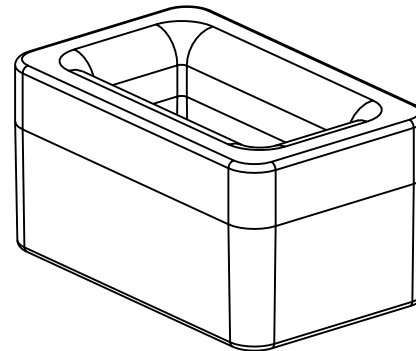
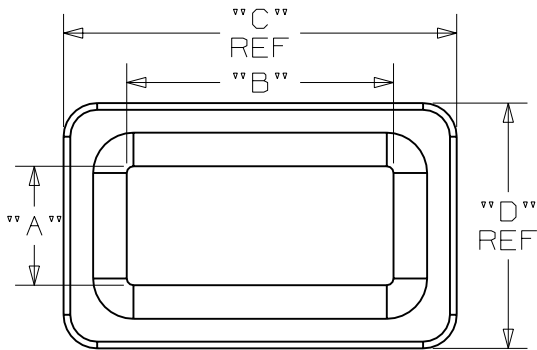
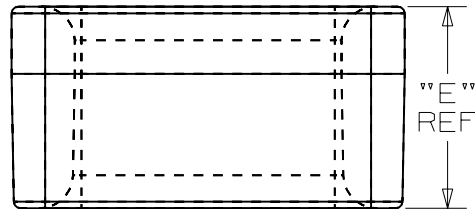


THIS COPY IS PROVIDED ON A RESTRICTED BASIS AND IS NOT TO BE USED IN ANY WAY DETRIMENTAL TO THE INTERESTS OF PANDUIT CORP.

PANDUIT PART NUMBER*	MAT'L SUFFIX	MATERIAL	DIMENSIONS					WEIGHT lbs/100 pcs (g)/100 pcs	USE WITH ANY OF THESE CABLE TIE CROSS-SECTIONS
			'A'	'B'	'C' REF	'D' REF	'E' REF		
CR2	NONE	NYLON 6/6	0.13 (3.30)	0.21 (5.33)	0.33 (8.38)	0.24 (6.09)	0.20 (5.0)	0.04 (18.1)	M, I, S
CR4H	NONE	NYLON 6/6	0.17 (4.32)	0.33 (8.38)	0.57 (14.6)	0.36 (9.1)	0.30 (7.6)	0.16 (72.6)	M, I, S, LH
	0	WEATHER RESISTANT NYLON 6/6 (BLACK)							
	30	HEAT STABILIZED NYLON 6/6 (BLACK)							



- NOTES:
- SEE CURRENT PRICE SHEET FOR PART NUMBER SUFFIX DESIGNATION FOR PACKAGE SIZE.
 - CABLE TIE CROSS-SECTION CODE: M=MINATURE, I=INTERMEDIATE, S=STANDARD, LH=LIGHT HEAVY



DIMENSIONS IN BRACKETS ARE METRIC [mm]

CAD FILENAME/LAYERS: G00239EB_PB_CR2_11

PANDUIT CORP. TINLEY PARK, ILLINOIS

**CR2/CR4H
CONNECTOR RING**

UNLESS OTHERWISE SPECIFIED, DIMENSIONAL TOLERANCES ARE:
 (.X) ±0.05 (1.3) (.XXX) ±0.010 (0.25)
 (.XX) ±0.02 (0.5) ANGLES ± 5°

UNLESS OTHERWISE SPECIFIED, ALL DIMENSIONS ARE GIVEN IN INCHES, THIRD ANGLE PROJECTION.

REV	DATE	BY	CHK	DESCRIPTION	ECN	R	CUST	SUP	DRAWN BY	MAT'L:	SCALE	DRAWING NO.	DWG SIZE
11	2/1/06	JAD		ADD -0 MATERIAL DESIGNATION TO CR4H	GB0239EB	11			MLD	SEE TABLE	NONE	GB0239EB	A
									DATE				
									8-26-96				
									CHK'D				